

**SAI-Y-4-4/2-4 M12/8****Weidmüller Interface GmbH & Co. KG**

Klingenbergstraße 16

D-32758 Detmold

Germany

Fon: +49 5231 14-0

Fax: +49 5231 14-292083

www.weidmueller.com



Individual cable lengths are often required nowadays. In order to meet these demands, Weidmüller offers a wide range of plug-in connectors for custom assembly. Y-distributors are used to bundle and distribute multiple signals to save space.

**General ordering data**

Type	SAI-Y-4-4/2-4 M12/8
Order No.	<a href="#">1783420000</a>
Version	Y-plug, M12 / M8
GTIN (EAN)	4032248183357
Qty.	1 pc(s).

## SAI-Y-4-4/2-4 M12/8

Weidmüller Interface GmbH &amp; Co. KG

Klingenbergstraße 16

D-32758 Detmold

Germany

Fon: +49 5231 14-0

Fax: +49 5231 14-292083

www.weidmueller.com

## Technical data

## Dimensions and weights

Net weight 18 g

## Environmental Product Compliance

REACH SVHC Lead 7439-92-1

## Connection data

Group outlet - plug-in connector	M12 pin	Single outlet 1 - plug-in connector	M8 socket
Single outlet 2 - plug-in connector	M8 socket	Tightening torque	M8: 0.5 - 0.6 Nm, M12: 0.8 - 1.2 Nm

## General data

Coding	M12 = A, M8 = none	Conductor O.D.	-
Contact material, pin	CuZn	Contact material, socket	CuZn
Contact surface	Au (Gold)	Housing main material	PBT
Pollution severity	3	Protection degree	IP67
Rated current	4 A	Rated voltage	24 V
Shield connection	No	Temperature range of housing	-25...+90 °C
connection thread	M12 / M8		

## Classifications

ETIM 3.0	EC002062	ETIM 4.0	EC002635
ETIM 5.0	EC002635	ETIM 6.0	EC002925
UNSPSC	30-21-18-10	eClass 5.1	27-26-07-01
eClass 6.2	27-26-07-02	eClass 7.1	27-44-01-02
eClass 8.1	27-44-01-02	eClass 9.0	27-44-01-02
eClass 9.1	27-44-01-06		

## Approvals

Approvals



ROHS Conform

## Downloads

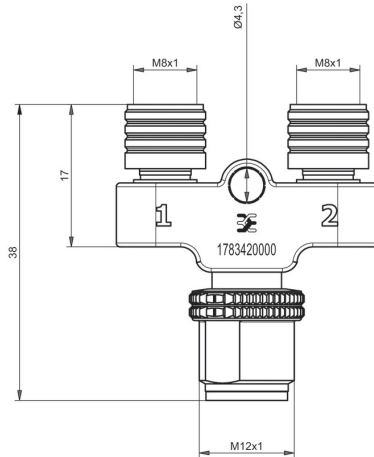
Brochure/Catalogue	<a href="#">CAT 8 SAI 15/16 EN</a> <a href="#">FL FIELDWIRING EN</a>
Engineering Data	<a href="#">EPLAN, WSCAD, Zuken E3.S</a>

**SAI-Y-4-4/2-4 M12/8**

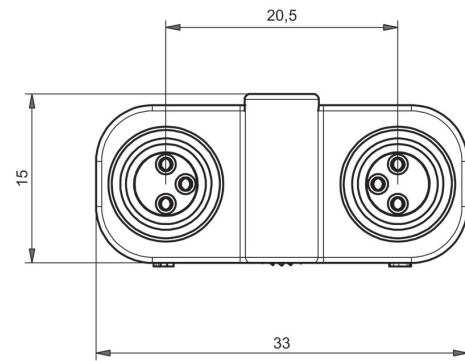
**Weidmüller Interface GmbH & Co. KG**  
 Klingenbergstraße 16  
 D-32758 Detmold  
 Germany  
 Fon: +49 5231 14-0  
 Fax: +49 5231 14-292083  
 www.weidmueller.com

**Drawings**

**Dimensioned drawing**



**Dimensioned drawing**



**Wiring diagram**

